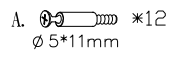

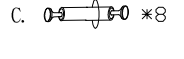
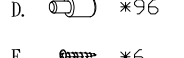





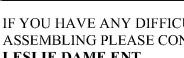
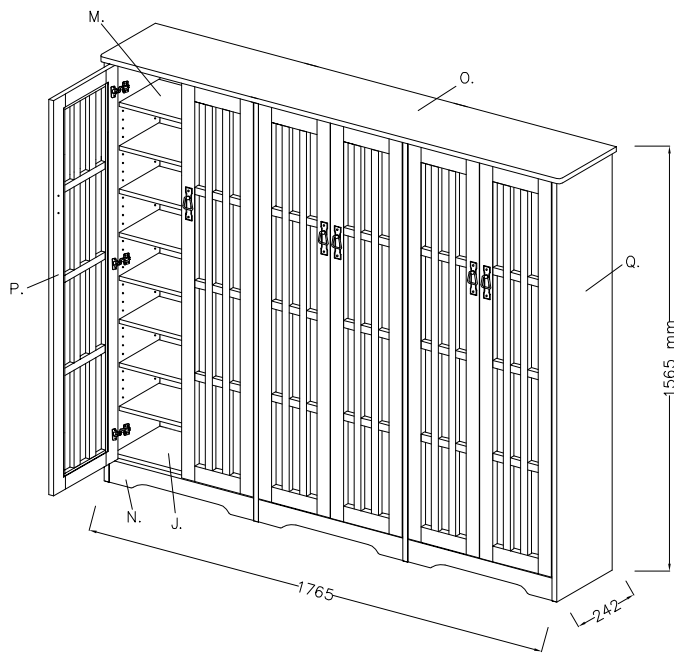


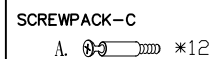
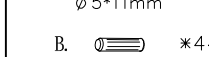
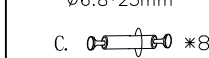
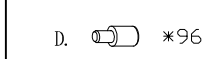
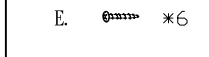
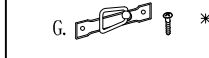




- A.  *12
Ø 5*11mm
- B.  *44
Ø 6.8*25mm
- C.  *8
- D.  *96
- E.  *6
- F.  *18
- G.  *6
- H.  *48
- I.  *4
- U.  *1

IF YOU HAVE ANY DIFFICULTY ASSEMBLING PLEASE CONTACT LESLIE DAME ENT at 718-261-4919 from 9 AM to 5 PM



- SCREWPACK-B**
- F.  *18
- SCREWPACK-C**
- A.  *12
Ø 5*11mm
 - B.  *44
Ø 6.8*25mm
 - C.  *8
 - D.  *96
 - E.  *6
 - G.  *6
 - H.  *48
 - I.  *4
 - U.  *1
- A**
- Q. RIGHT and LEFT SIDE-PANELx2
 - R. VERTICAL CENTER-PANELx2
 - T. GLASS x6
 - O. TOP-PANELx1
- B**
- K. TOP-SUPPORTERx1
 - P. DOOR-PANEL x6 (RIGHT and LEFT)
 - M. SHELVES-PANELx8
 - S. BACK-PANELx3
- C**
- K. TOP-SUPPORTERx2
 - M. SHELVES-PANELx16
 - J. BOTTOM-PANELx3
 - L. HOLDING-PANELx3
 - N. FRONT-PANELx3

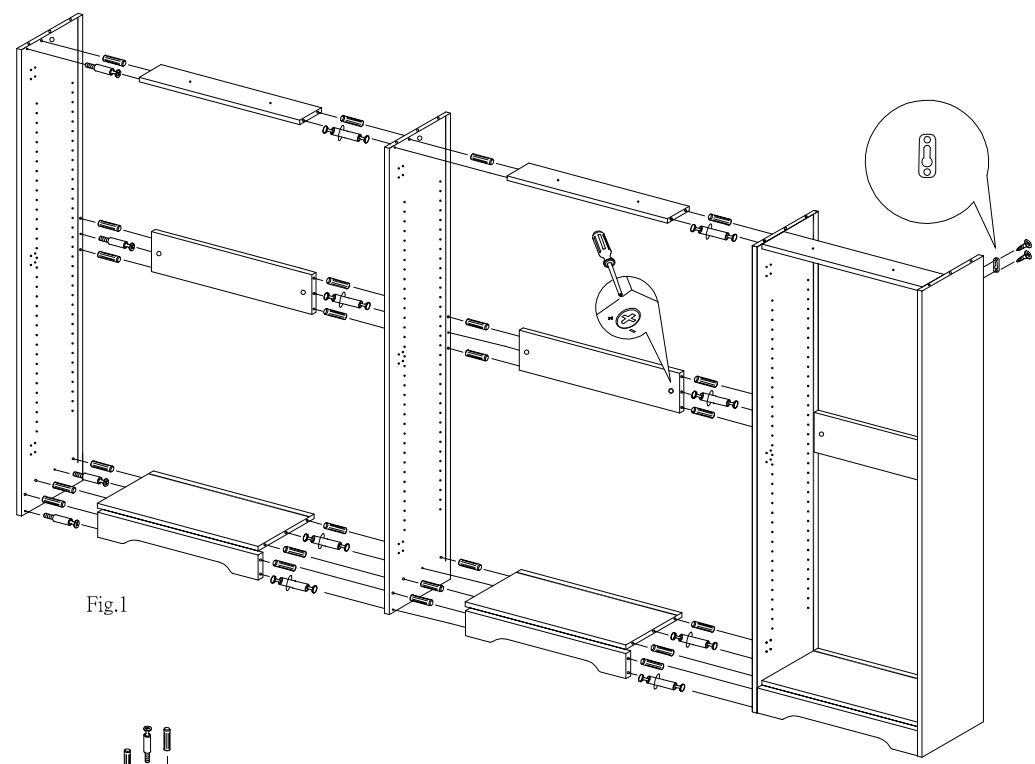
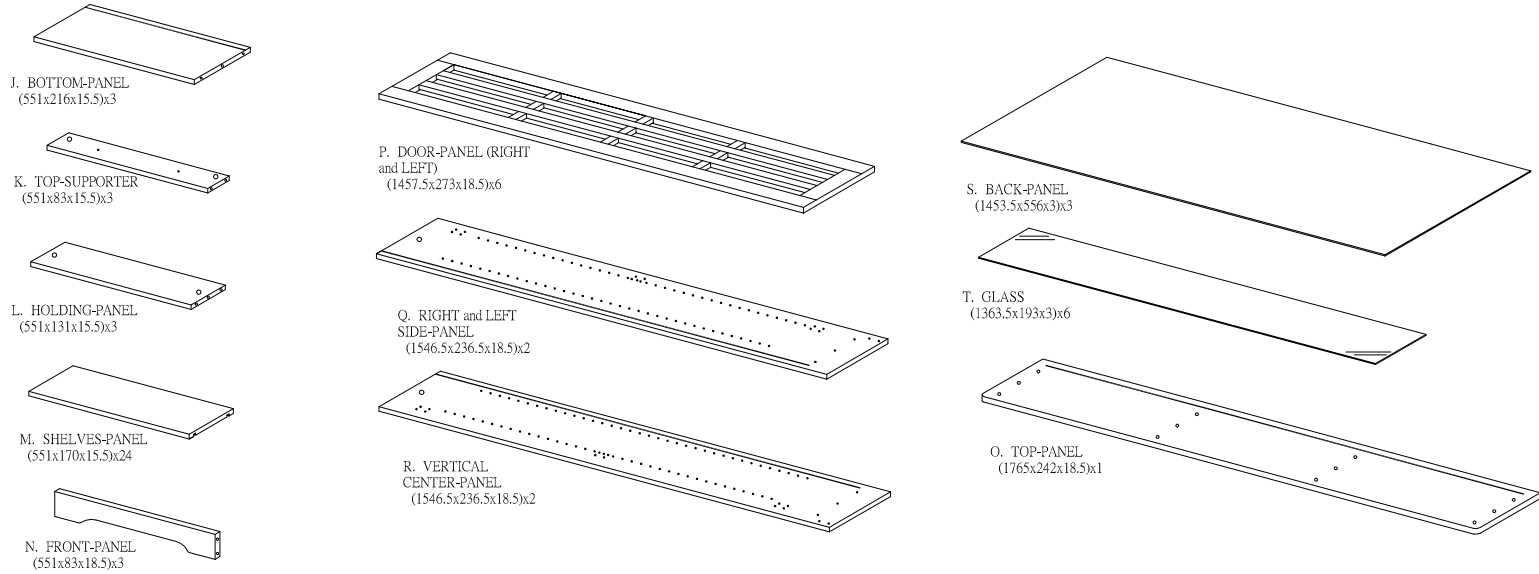


Fig.1

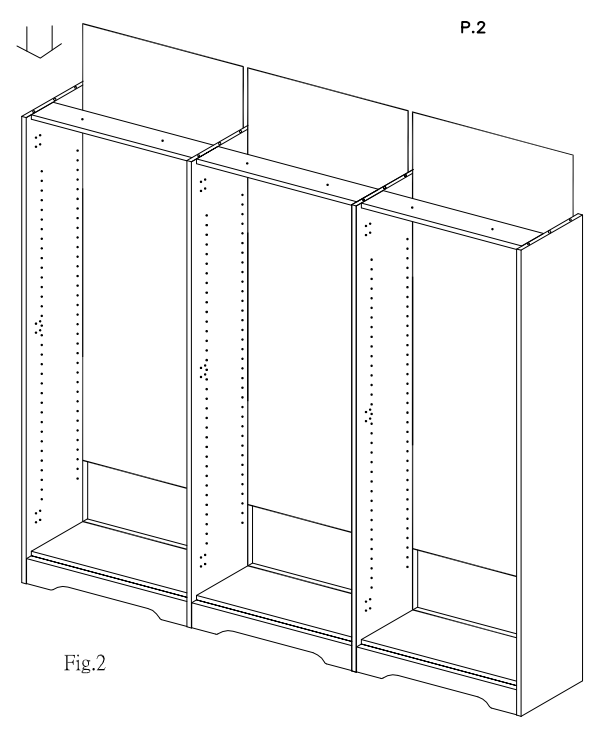


Fig.2

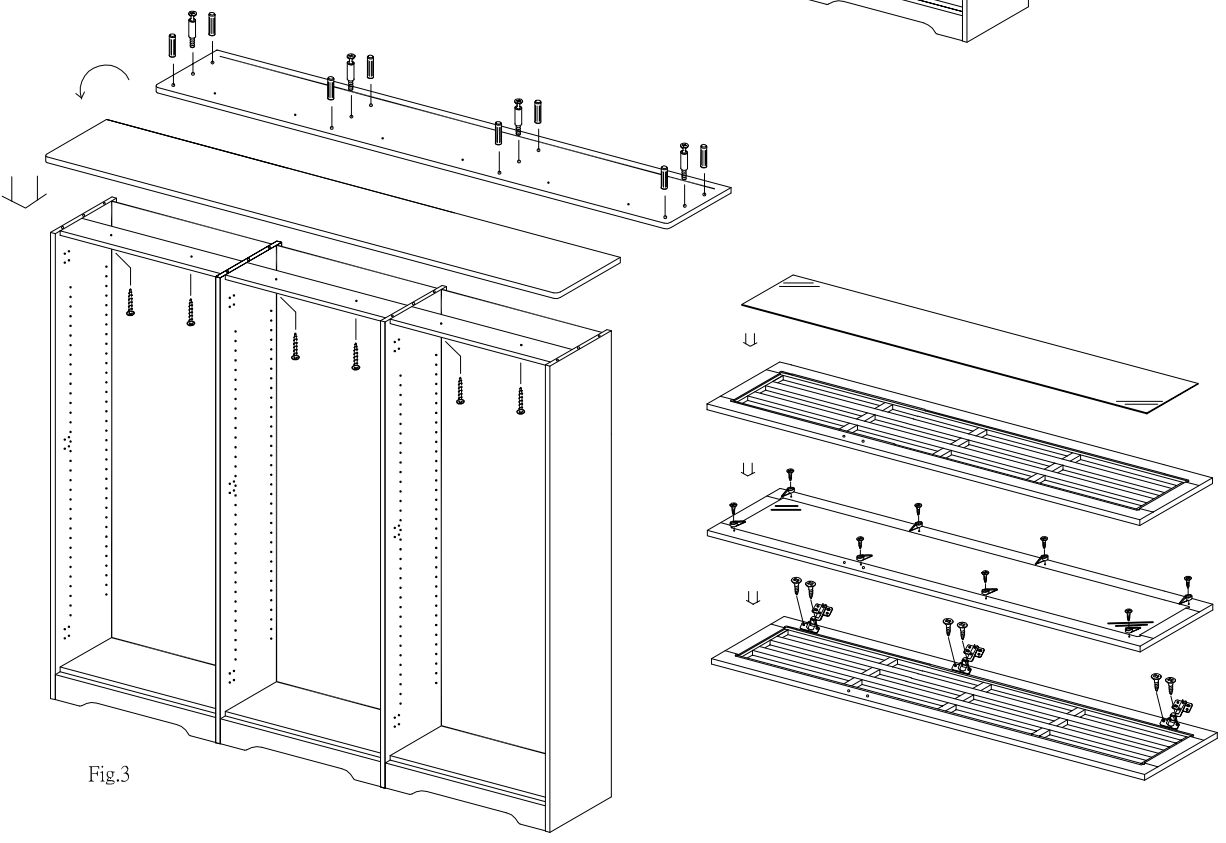


Fig.3

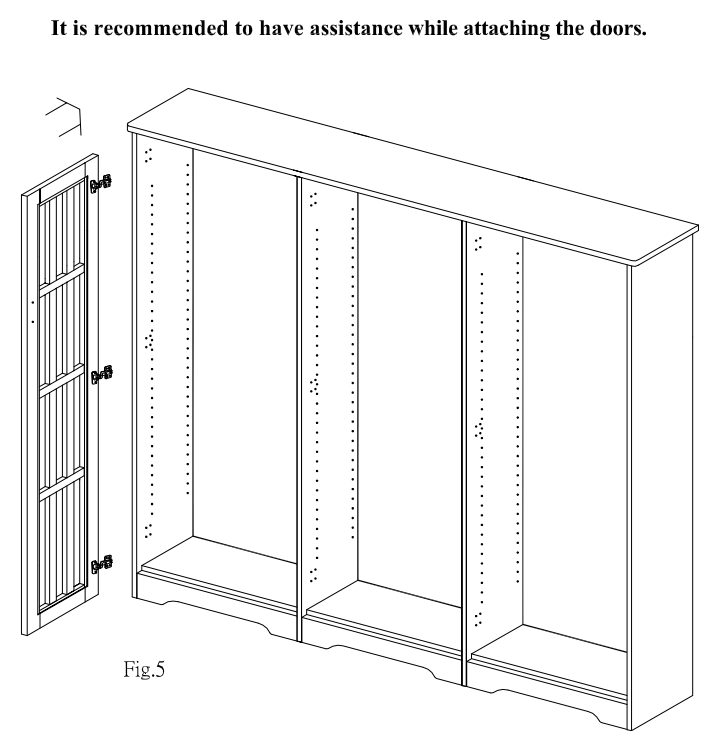


Fig.5

It is recommended to have assistance while attaching the doors.

P.2