

M-371

- A. *8
ø5*11mm
- B. *14
ø6.8*25mm
- C. *24
- D. *4
- E. *2
- F. *12
- G. *1
- Q. *1

IF YOU HAVE ANY DIFFICULTY
ASSEMBLING PLEASE CONTACT
LESLIE DAME ENT
at 718-261-4919
from 9 AM to 5 PM

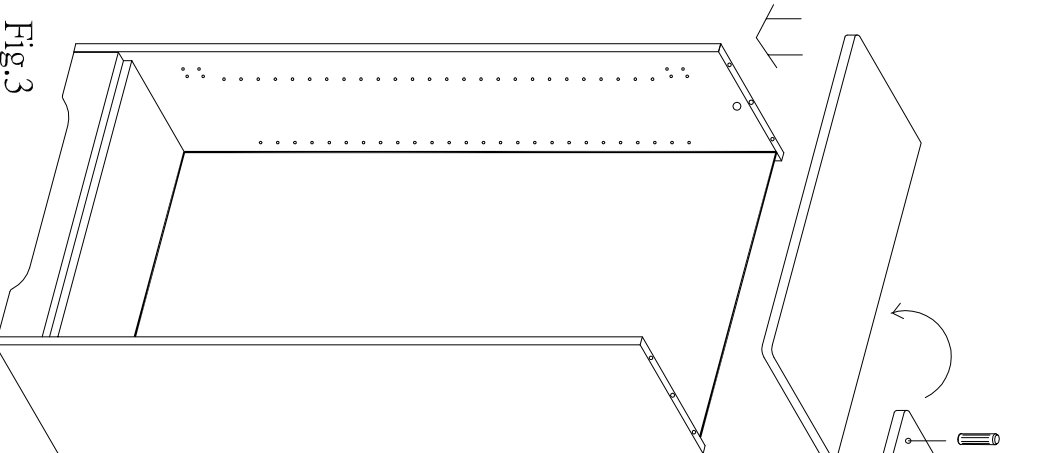
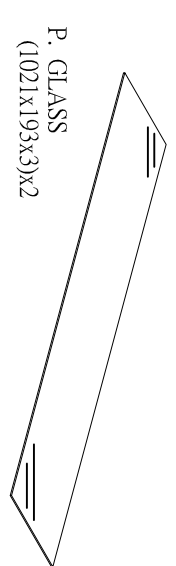
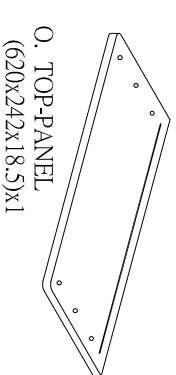
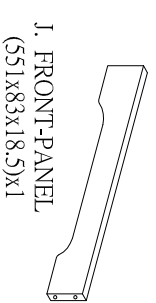
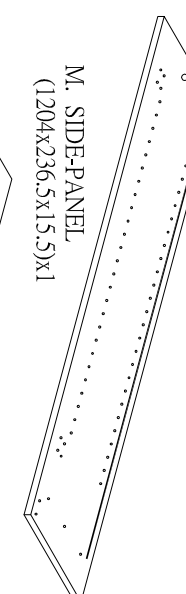
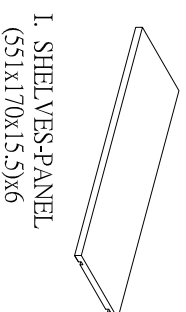
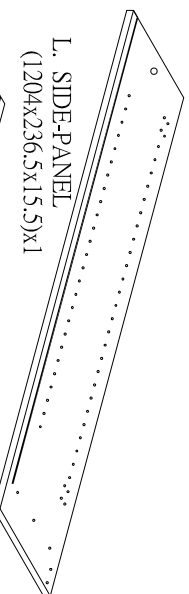
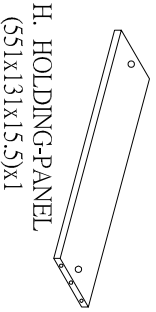
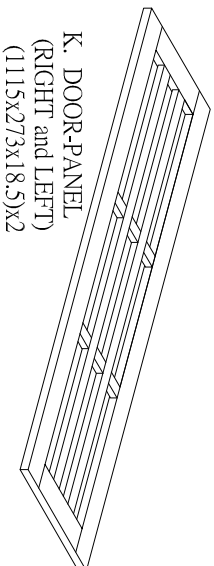
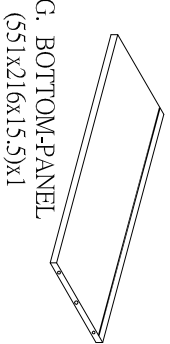
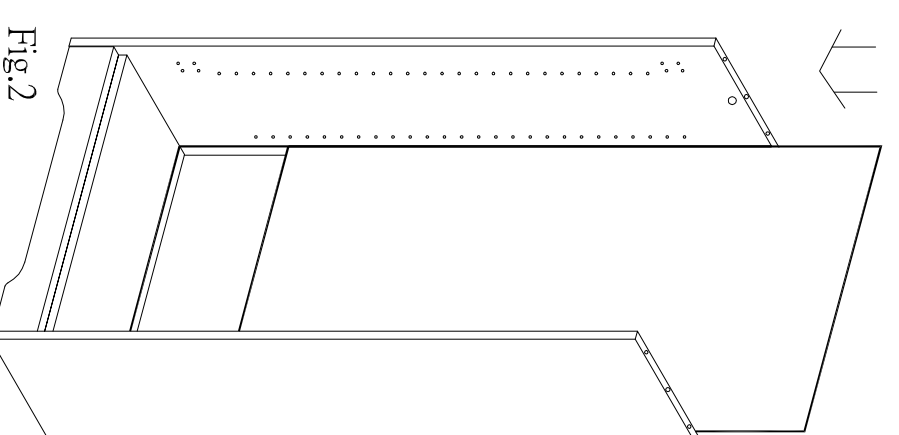
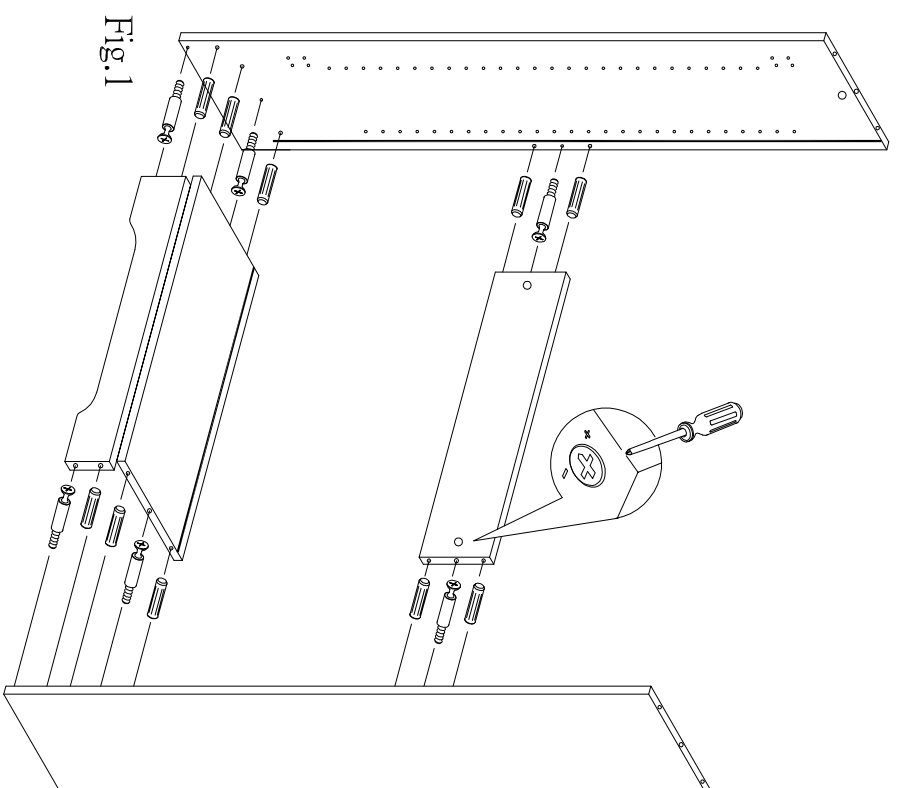
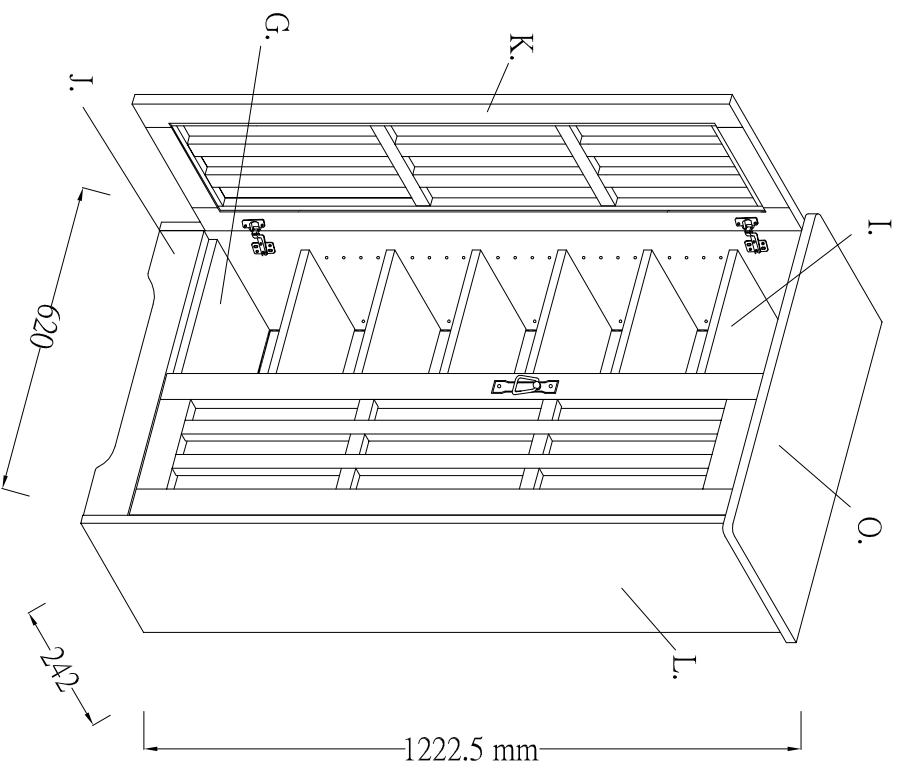


Fig. 1

Fig. 2

It is recommended to have assistance while attaching the doors.

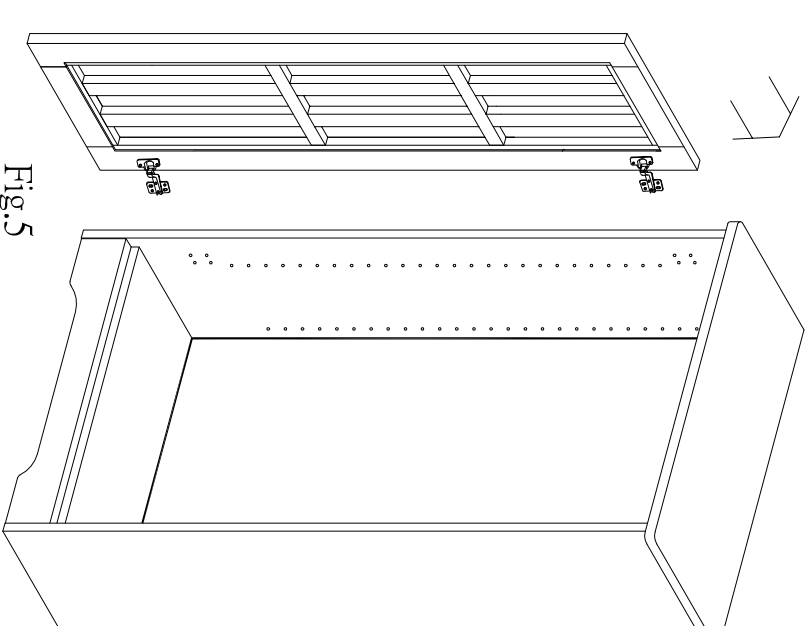
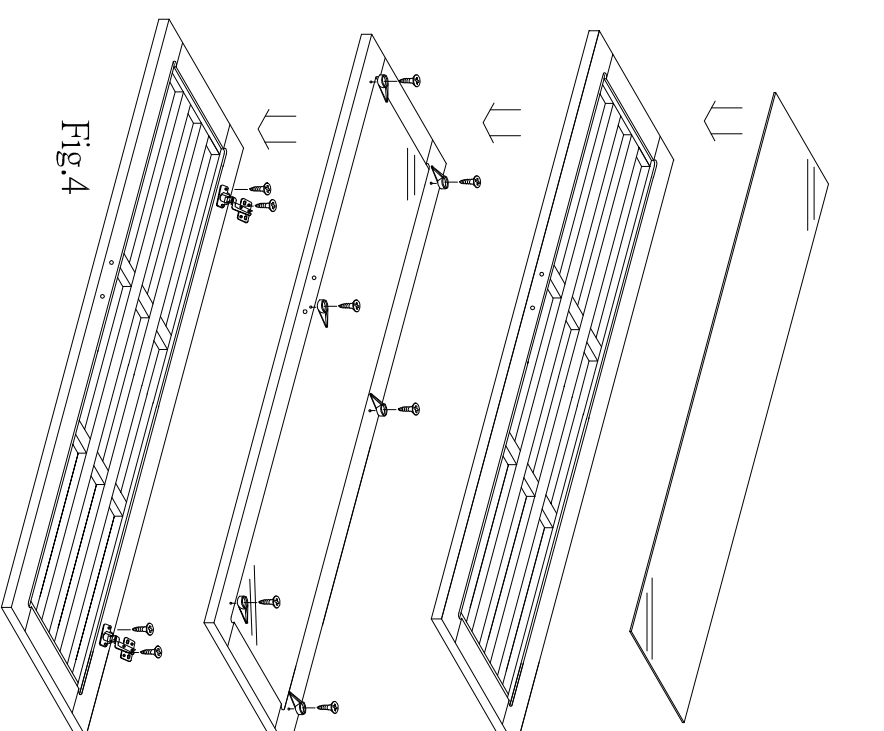


Fig. 3

Fig. 4

Fig. 5